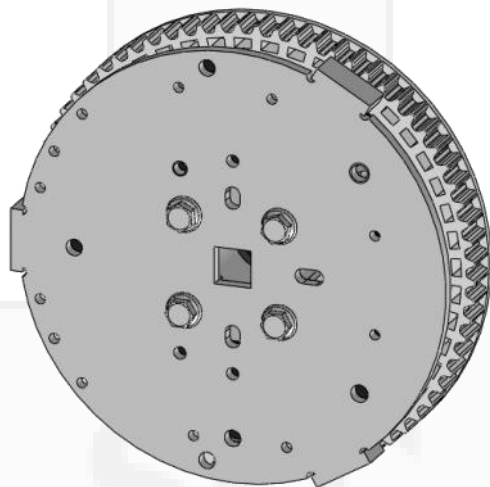


LM18CD



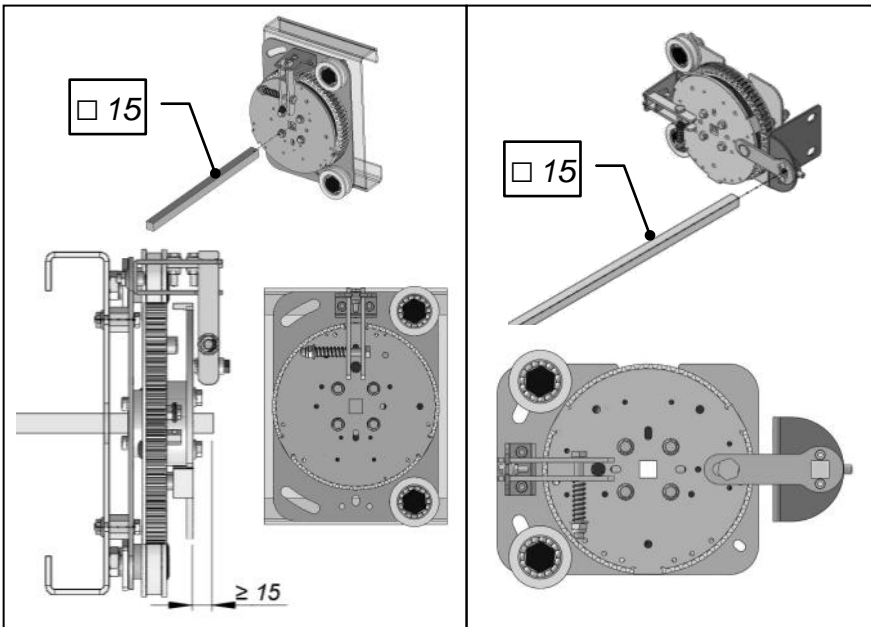
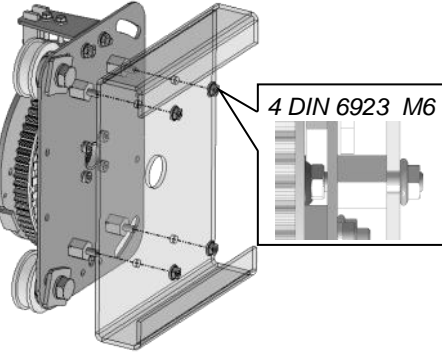
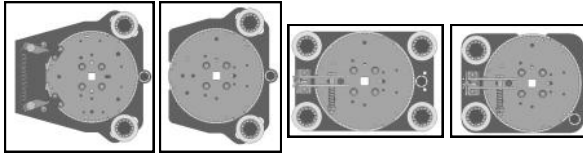
SCHLOSSER LUEZAR & CVR, S.L.

GR.LM18CD.00

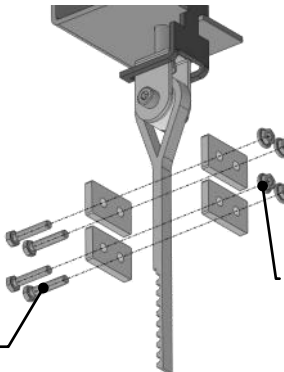
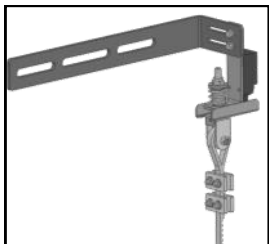
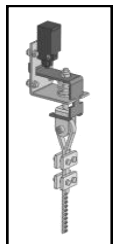




LM18CD

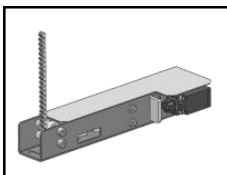
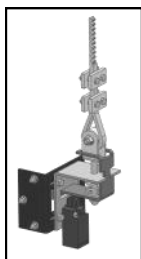
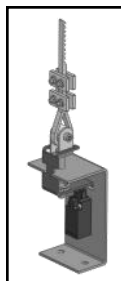
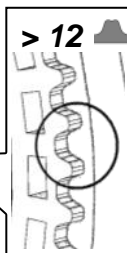
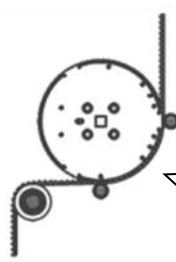


LM18CD



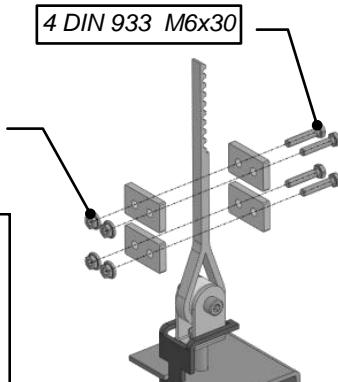
4 DIN 933 M6x30

4 DIN 6923 M6



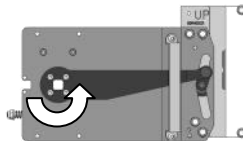
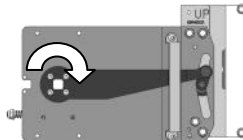
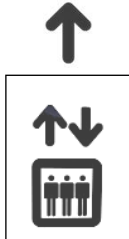
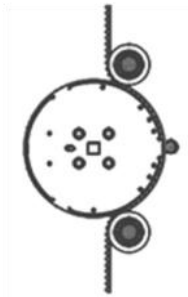
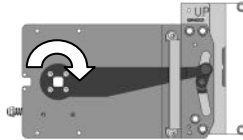
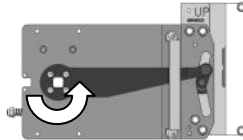
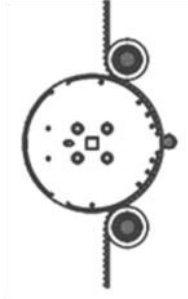
4 DIN 933 M6x30

4 DIN 6923 M6

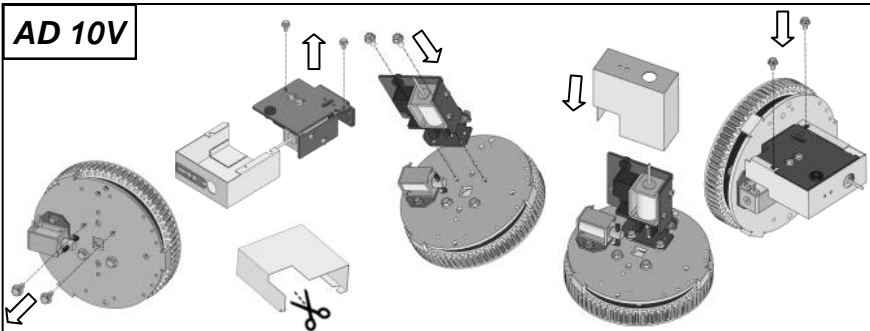




LM18CD



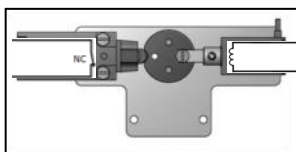
AD 10V



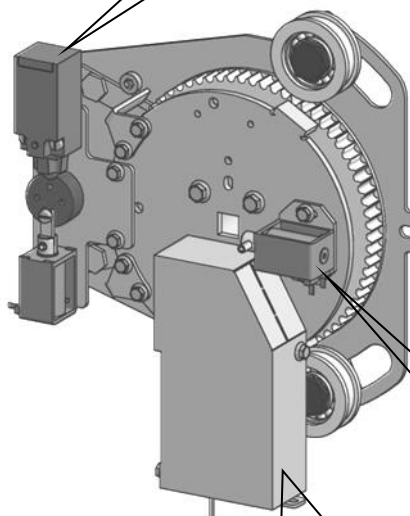
LM18 CD



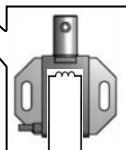
OMRON D4N-4132
1 NC, 1 NO



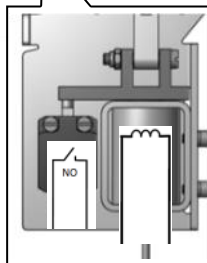
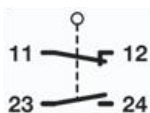
NAFSA ER30/C
DC: 24, 110, 190 V
AC: 230 V



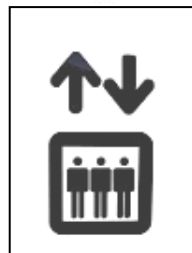
NAFSA ER30/C
DC: 24, 110, 190 V
AC: 230 V



BERNSTEIN C2-U1Z
1 NC, 1 NO



NAFSA ERC45-50/XX/C
DC: 24, 48, 63, 190 V
AC: 230 V



OMRON D4N-4A32
1 NC, 1 NO



OMRON D4N-4A32
1 NC, 1 NO



LM18CD

